



Stainless Steel Motors

IP69K Protection
 0.12-22KW/0.18-30HP
 1000RPM 1500RPM 3000RPM
 Three Phase /Single Phase
 Frame 63-180 / 56C-286TC
 Mounting B3 B5 B14 B34 B35
 IE3 / Premium Efficiency, CE Certified
 Double Lip Seals (Viton), Inverter Duty Rated
 Washdown Duty (High Temp Power Spray Washable)
 All 304 Stainless Steel Construction (Polished Surface)



Stainless Steel Helical Inline Gearmotors



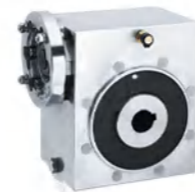
Size: 37-67
 Ratio: 3.41-199.81
 Input power: 0.12-7.5 KW
 Output torque: 2.4-635 N.m

Stainless Steel Helical Bevel Gearmotors



Size: 37-67
 Ratio: 3.97-145.14
 Input power: 0.12-5.5 KW
 Output torque: 10-8880 N.m

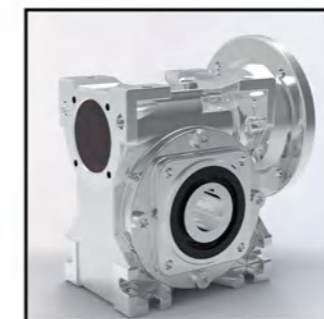
Stainless Steel Worm Gearbox



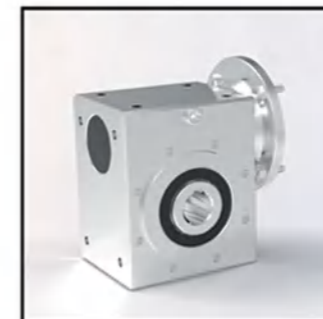
Size:30/40/50/63/75/90
 Ratio:7.5-100
 Input power: 0.06--4 KW
 Flange size:56-112/48C-180TC

Stainless Steel parts:

Flanges | Solid Shafts | Torque Arms | Metal Plate | Machined Parts



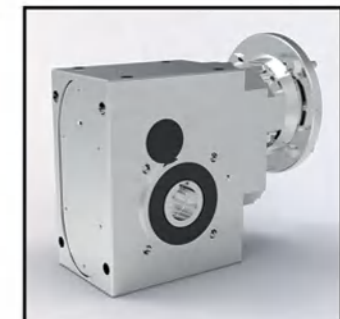
NMRV 系列不锈钢减速机
 NMRV Stainless Gearbox



RESSD 系列不锈钢减速机
 RESSD Stainless Gearbox



RSS 系列不锈钢减速机
 RSS Stainless Gearbox



AH 系列不锈钢减速机
 AH Stainless Gearbox

杭州安久传动有限公司
 Hangzhou Ang Drive Co., Ltd.

Tel : 0086 571 82101305
 Email : info@angdrive.com
 Website : www. angdrive.com

杭州安久传动有限公司
 Hangzhou Ang Drive Co., Ltd.

杭州安久传动有限公司主要经营蜗杆减速机、齿轮减速机、交流与直流电机以及相关传动产品。

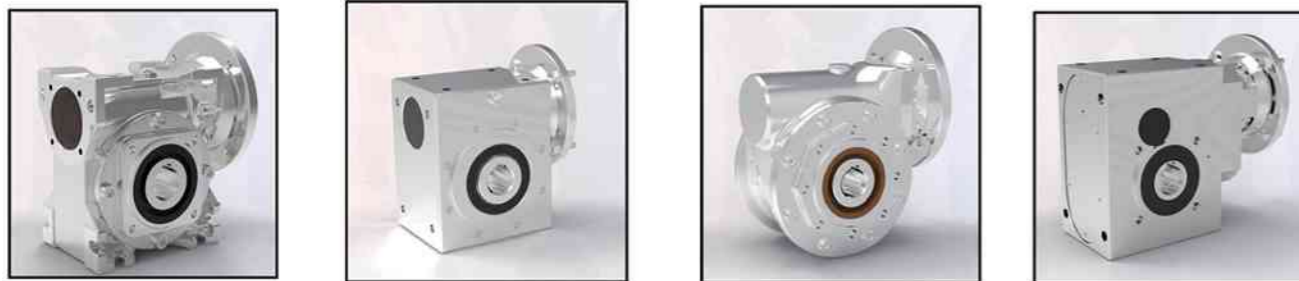
公司严格执行质量管理体系，从开发设计、原料采购、进料检验、一贯化制程到成品包装出货，皆层层严格把关，期望为广大客户提供高性能、低成本、更适合的专业传动方案。

我们坚持优质产品、优质服务，为客户创造价值，让客户满意。

AnJo is specialized in worm gearboxes, gear reducers, AC & DC motors, and related products.

The company strictly implements the quality management system, from design & development, raw material procurement, incoming inspection, and consistent process to the finished product packaging & delivery, and expects to provide our customers with high performance, competitive prices, and more suitable transmission solutions.

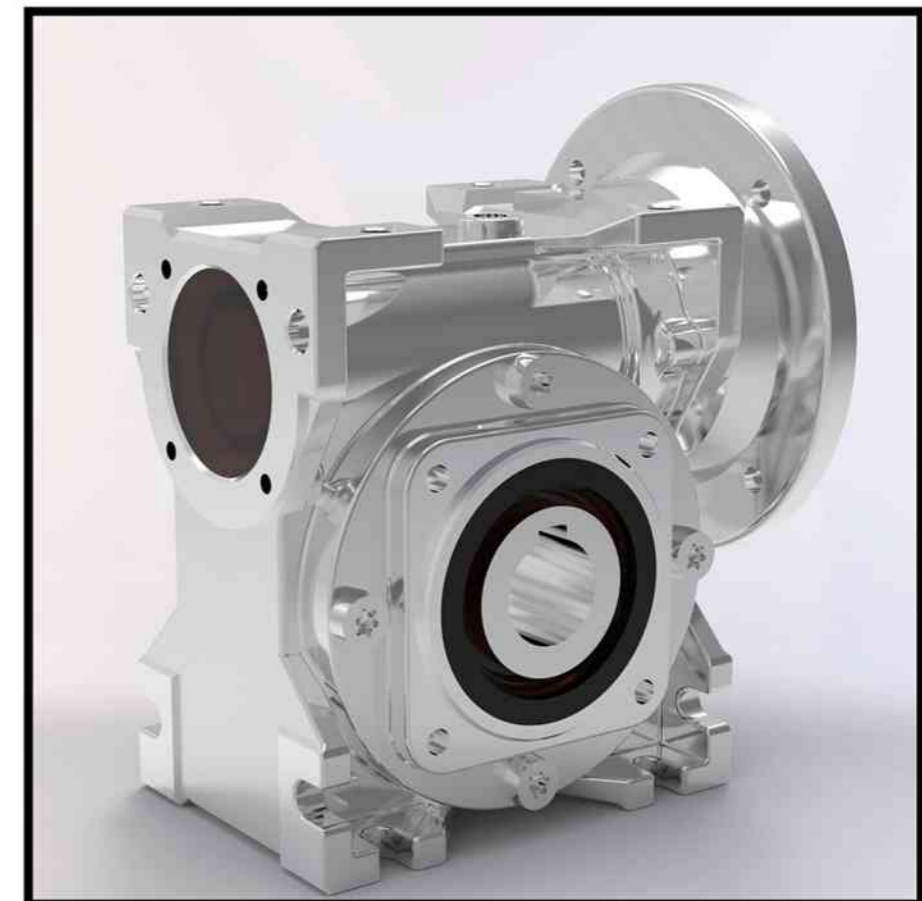
We insist on high-quality products and services to create value for customers and satisfy customers.



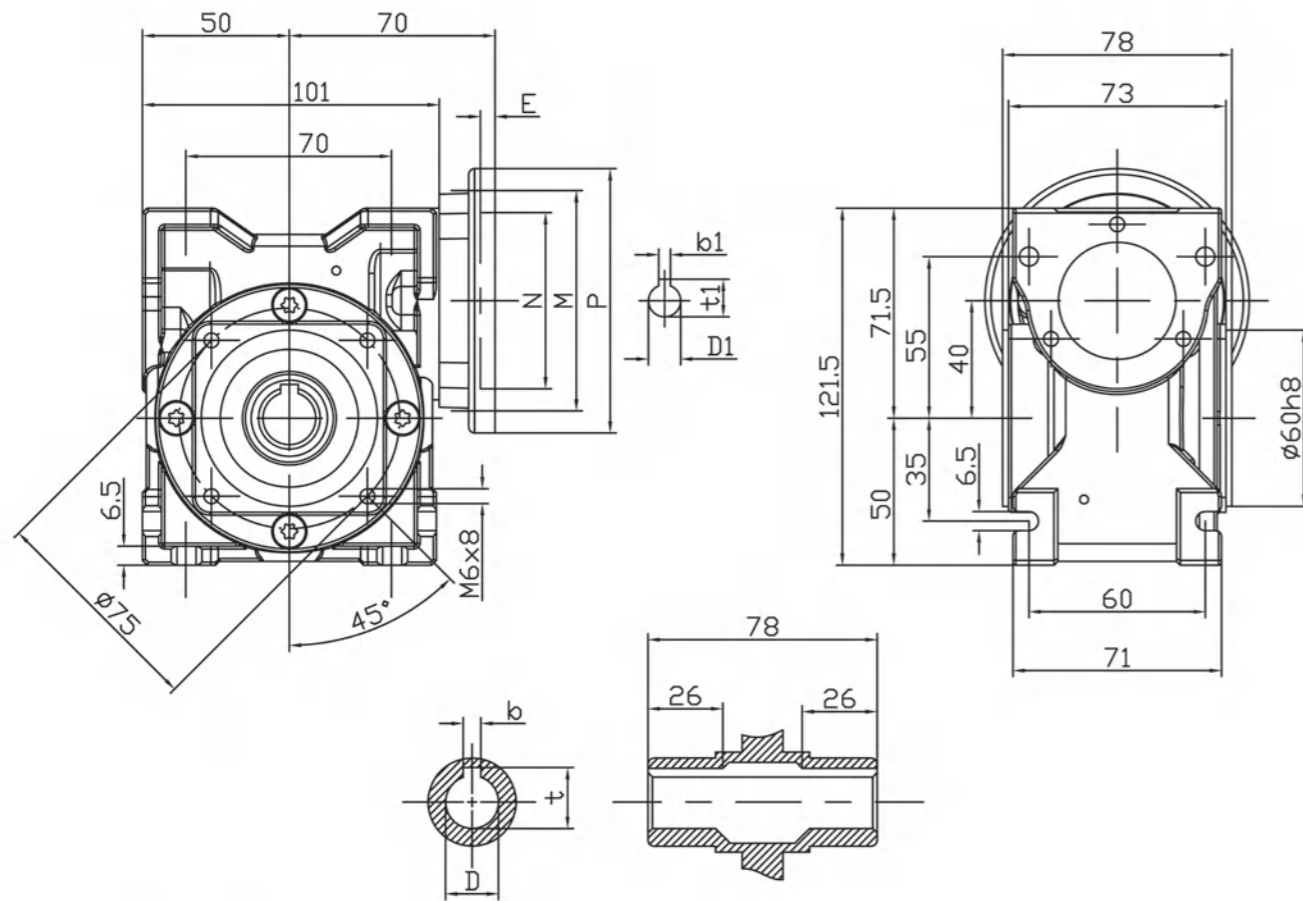
NMRV 系列不锈钢减速机 NMRV Stainless Gearbox

NMRV系列不锈钢减速机箱体法兰使用304精密铸造，轮芯也是304。蜗轮材质12-2锡青铜，全合成蜗轮蜗杆油。减速机表面电解抛光。耐腐蚀，易冲洗，速比多，扭矩大，适合多方位安装。目前型号有40, 50, 63, 75, 90

The NMRV series stainless steel gearbox body and flange are precision cast with 304, and the wheel core is also 304. Worm gear material is 12-2 tin bronze, and it is fully synthetic worm gear oil. Electrolytic polishing of the surface of the reducer is corrosion-resistant, easy to wash, has a high speed ratio and large torque, and is suitable for multi-directional installation. There are five models: 40, 50, 63, 75, 90.

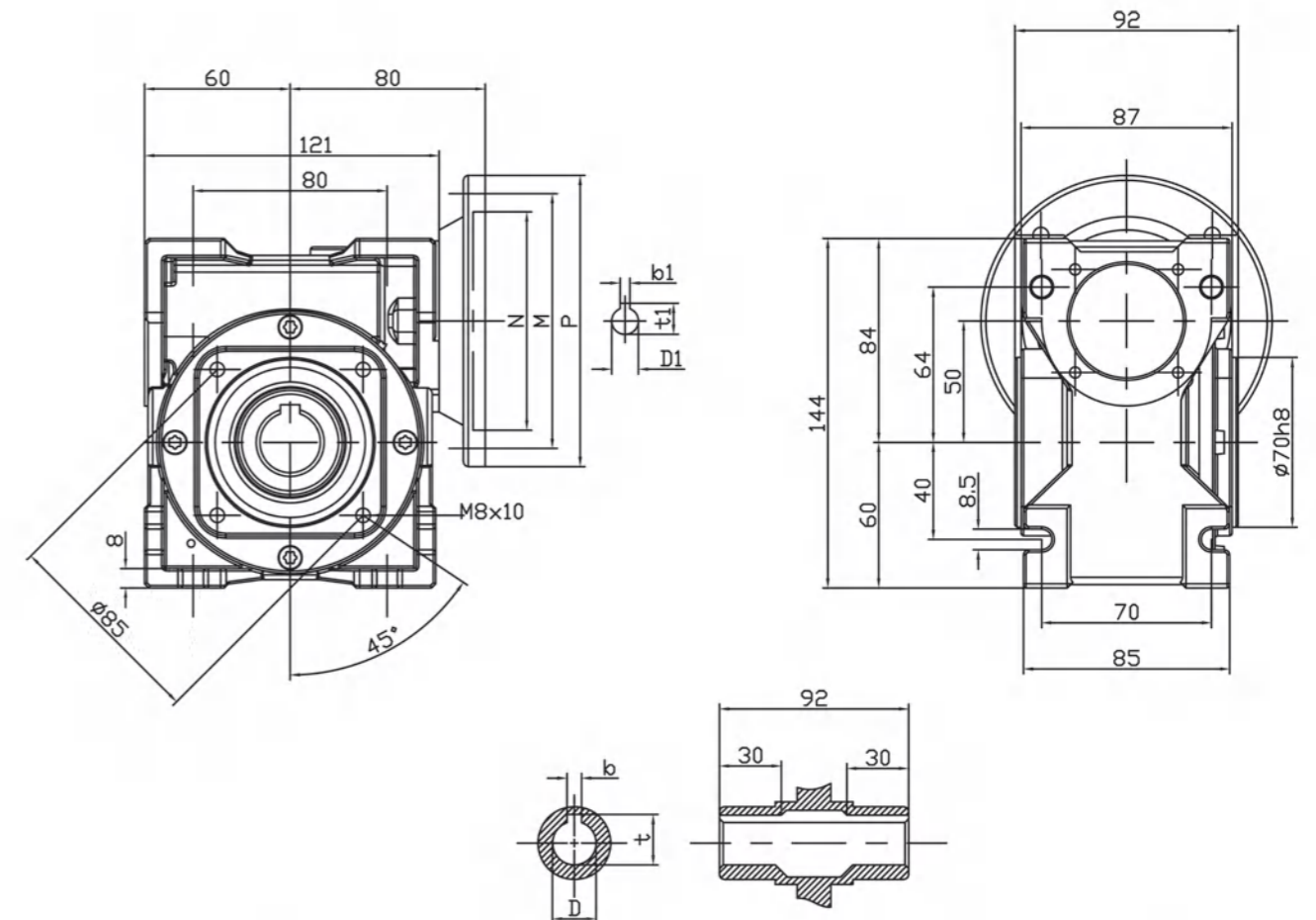


NMRV040



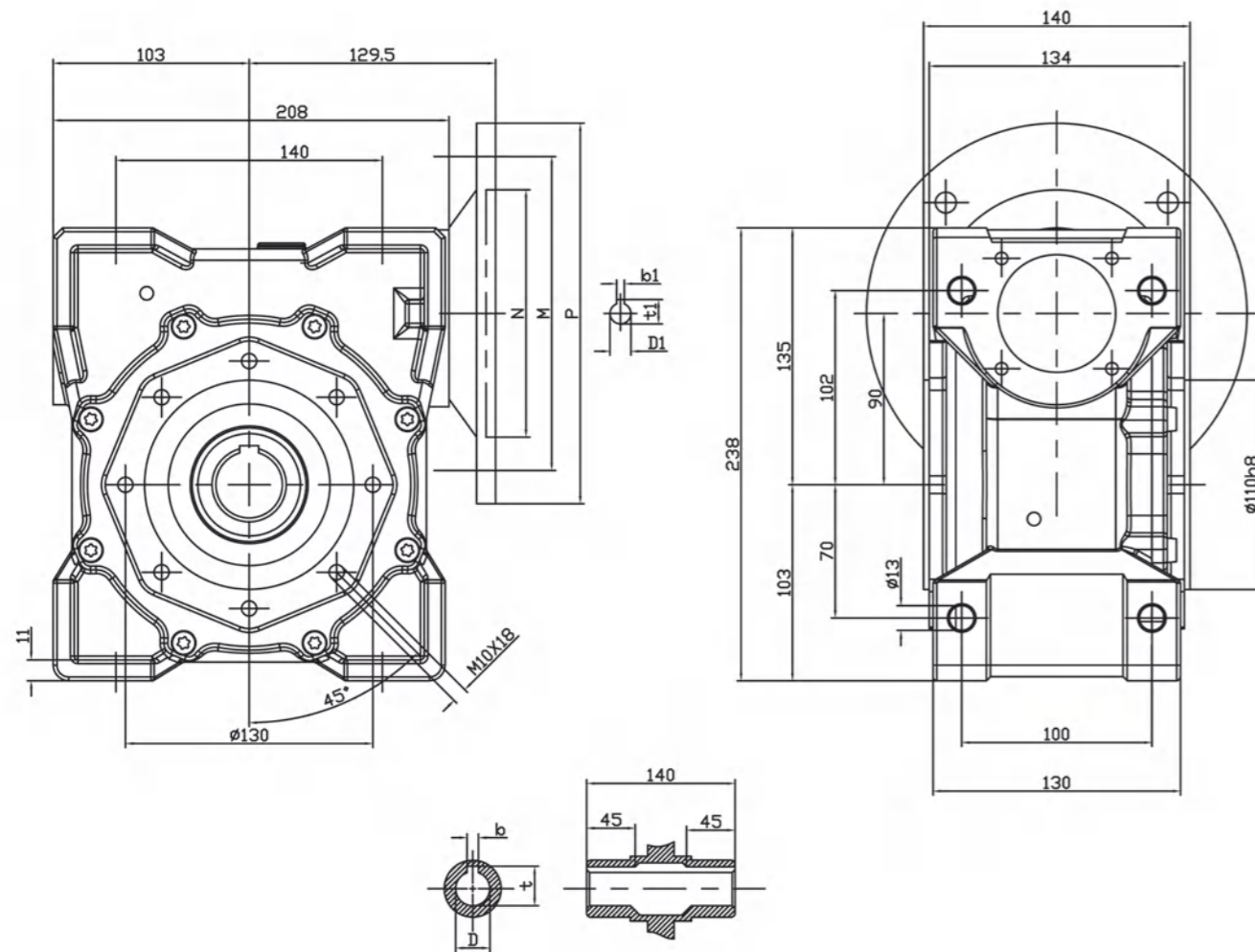
PAM-IEC	N(H8)	M	P	b1	t1	Ratio										D(H7)					
						7.5	10	15	20	25	30	40	50	60	80	100	D(H7)	b	t		
71B5	110	130	160	5	16.3	14	14	14	14	14	14	14	14	14	14	14	18	6	20.8		
71B14	70	85	105			19*	6*	21.8*													
63B5	95	115	140	4	12.8	11	11	11	11	11	11	11	11	11	11	11	*非标产品, 订单时请说明 *Only on request				
63B14	60	75	90			11	11	11	11	11	11	11	11	11	11	11					
56B5	80	100	120	3	10.4	—	—	—	—	—	—	—	9	9	9	9				9	9

NMRV050

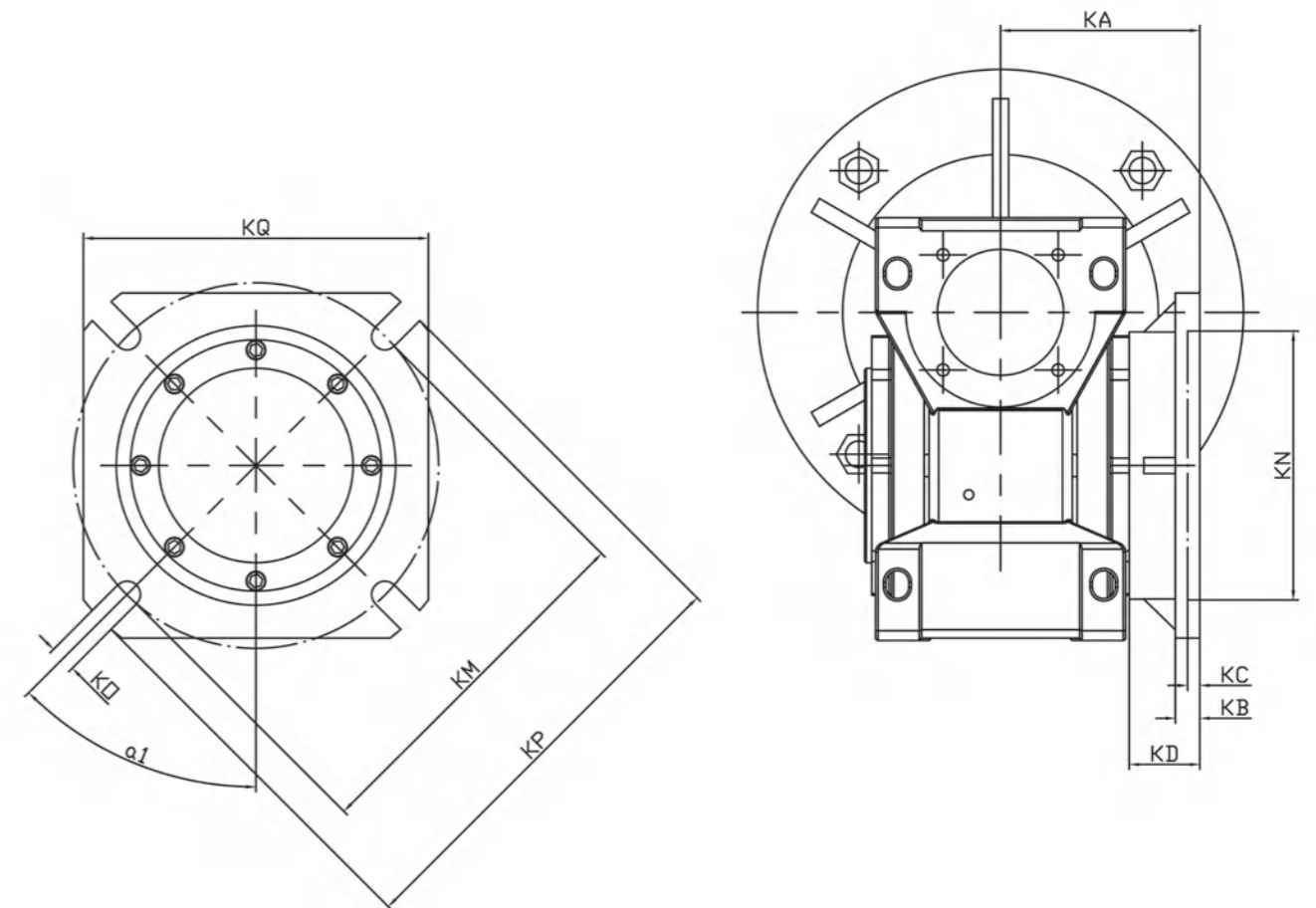


PAM-IEC	N(H8)	M	P	b1	t1	Ratio										D(H7)					
						7.5	10	15	20	25	30	40	50	60	80	100	D(H7)	b	t		
80B5	130	165	200	6	21.8	19	19	19	19	19	19	19	19	19	19	19	25	8	28.3		
80B14	80	100	120			24*	8*	27.3*													
71B5	110	130	160	5	16.3	14	14	14	14	14	14	14	14	14	14	*非标产品, 订单时请说明 *Only on request					
71B14	70	85	105			11	11	11	11	11	11	11	11	11	11						
63B5	95	115	140	4	12.8	—	—	—	—	—	—	—	11	11	11				11	11	11
63B14	60	75	90			11	11	11	11	11	11	11	11	11	11						

NMRV090



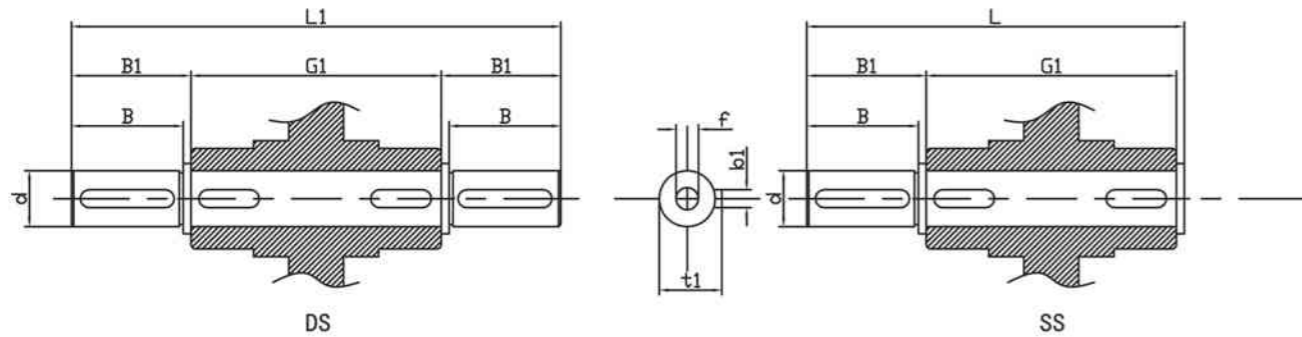
NMRV..F 输出法兰 Output Flange Dimension



PAM-IEC	N(H8)	M	P	b1	t1	Ratio										D(H7)	b	t	
						7.5	10	15	20	25	30	40	50	60	80				100
100/112B5	180	215	250	8	31.3	28	28	28	28	28	28	-	-	-	-	-	35	10	38.3
100/112B14	110	130	160			38	10	41.3											
90B5	130	165	200	8	27.3	24	24	24	24	24	24	24	24	24	-	-	*非标产品, 订单时请说明 *Only on request	-	-
90B14	95	115	140			24													
80B5	130	165	200	6	21.8	-	-	-	-	-	-	19	19	19	19	19	-	-	
80B14	80	100	120			19													

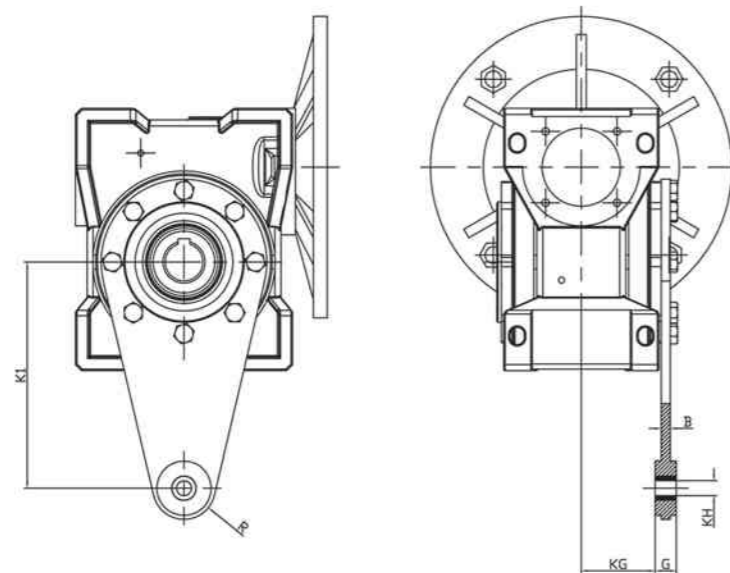
NMRV	α_1	KA	KB	KC	KD	KM	KN	KD	KP	KQ
040	45°	67	7	4	31.5	75	60	9	110	95
050	45°	90	9	5	46.5	85	70	11	125	110
063	45°	82	10	6	29	150	115	11	180	142
075	45°	111	13	6	54	165	130	14	200	170
090	45°	111	13	6	44	175	152	14	210	200

NMRV输出轴(304)Output Shafts



NMRV	d	B	B1	G1	L	L1	f	b1	t1
040	18	40	43	78	128	164	M6*17	6	20.5
050	25	50	53.5	92	153	199	M10*27	8	28
063	25	50	53.5	112	173	219	M10*27	8	28
075	28	60	63.5	120	192	247	M10*27	8	31
090	35	80	84.5	140	234	309	M12*34	10	38

NMRV扭力臂(304)Torque Arm



NMRV	K1	G	KG	KH	R	B
040	100	14	31.5	10	18	4
050	100	14	38.5	10	18	4
063	150	14	49	10	18	6
075	200	25	47.5	20	30	6
090	200	25	57.5	20	30	6

RESSD系列不锈钢减速机减速机

箱体304精密铸造，蜗轮12-2锡青铜，轮芯也是304，全合成蜗轮蜗杆油。箱体六个面全部加工，外形美观，便于冲洗，耐腐蚀。有30，40，50，63，75，90六个型号

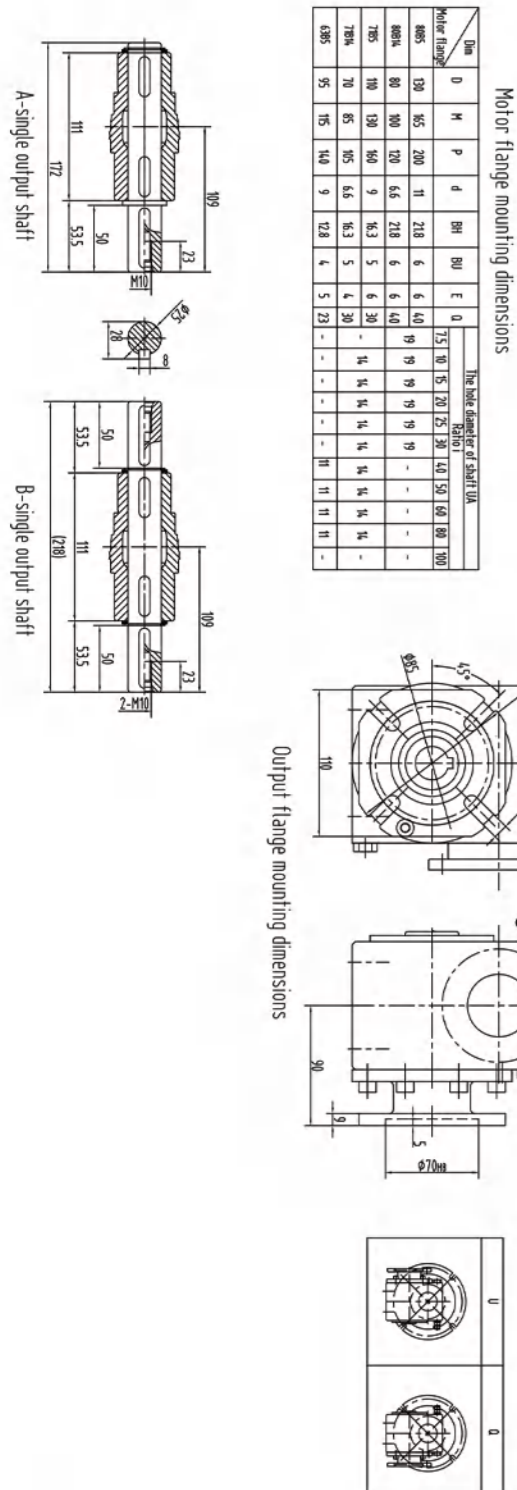
RESSD series stainless steel reducer

The reducer gear box is precisely produced with 304, the worm gear is 12-2 tin bronze, the wheel core is also 304, and it is fully synthetic worm gear oil. All six sides of the box are processed, with beautiful appearance, easy cleaning and corrosion resistance.

There are six models: 30, 40, 50, 63, 75, 90, etc.

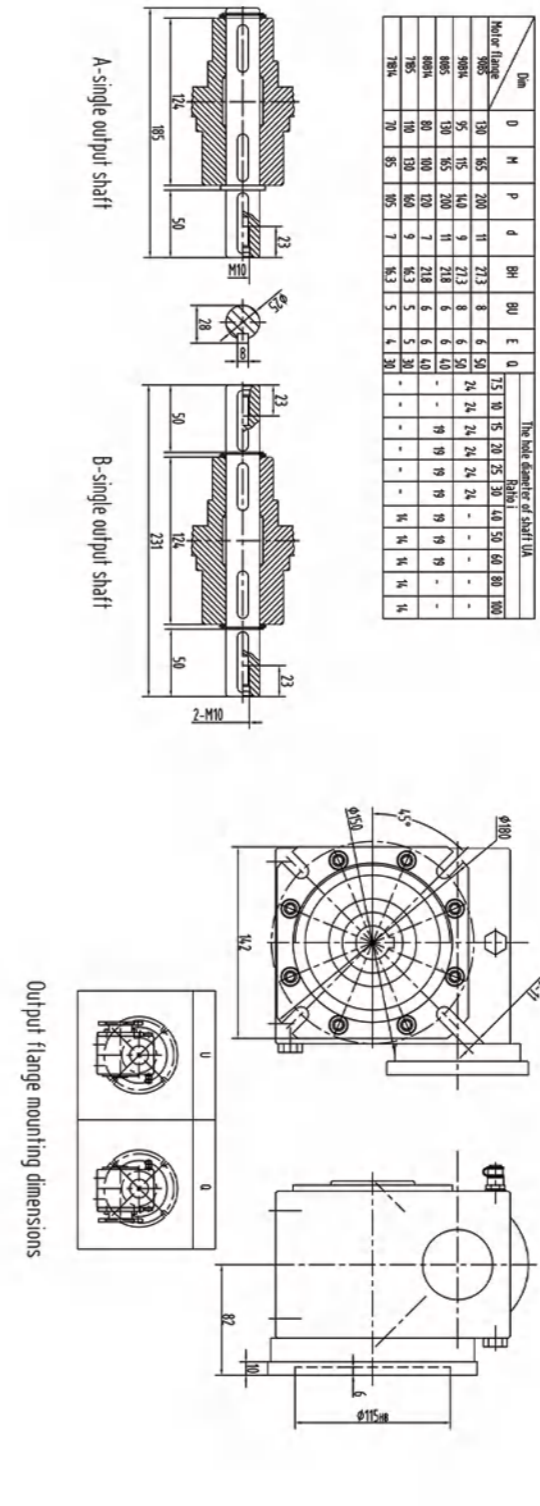


安装尺寸
Installation Dimensions



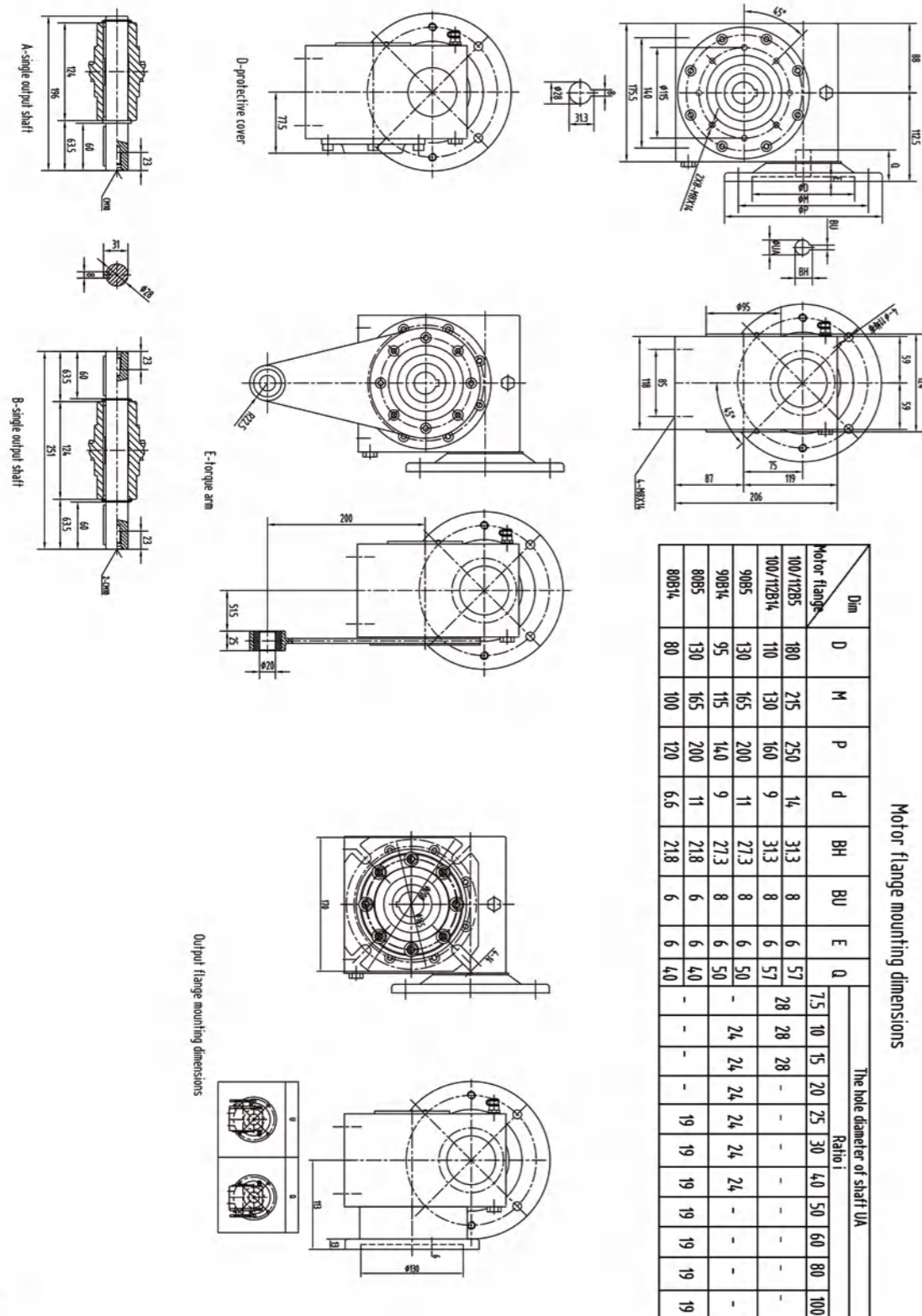
RESSD50

安装尺寸
Installation Dimensions



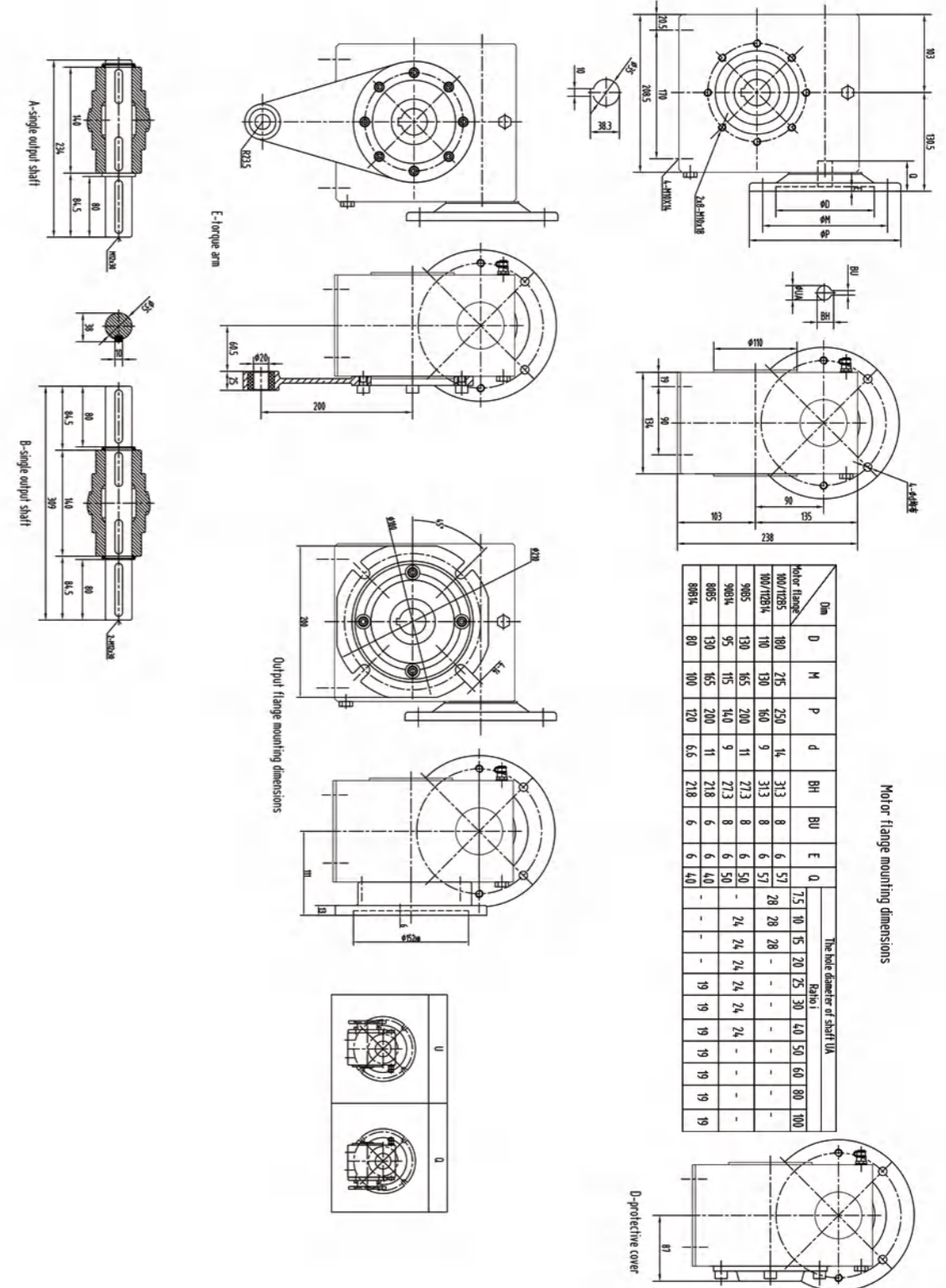
安装尺寸
Installation Dimensions

RESSD75



安装尺寸
Installation Dimensions

RESSD90



RSS系列不锈钢减速机

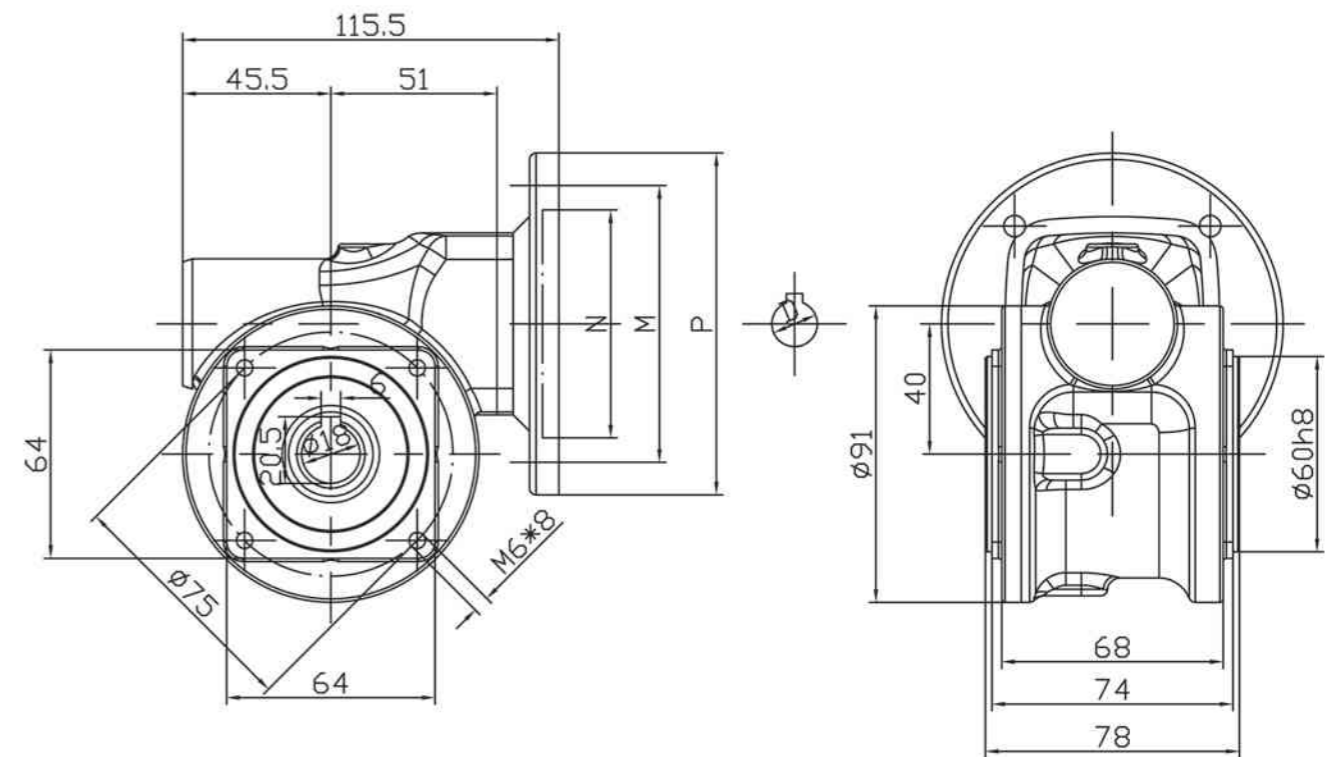
箱体按照VF蜗轮蜗杆减速机设计。304精密铸造，结构紧凑，轮芯304材质，蜗轮12-2锡青铜。全合成蜗轮蜗杆油，减速机表面电解抛光，耐腐蚀，易清洗，速比多样，目前型号有40，50，63三种。

RSS series stainless steel reduction

The box body is designed according to the VF worm gear reducer. 304 precisely produced, compact structure, wheel core made of 304 material, worm gear 12-2 tin bronze. Fully synthetic worm gear oil, the surface of the reducer is electrolytically polished, The advantages are corrosion-resistant, easy to clean, and has various speed ratios. There are currently three models: 40, 50, and 63.

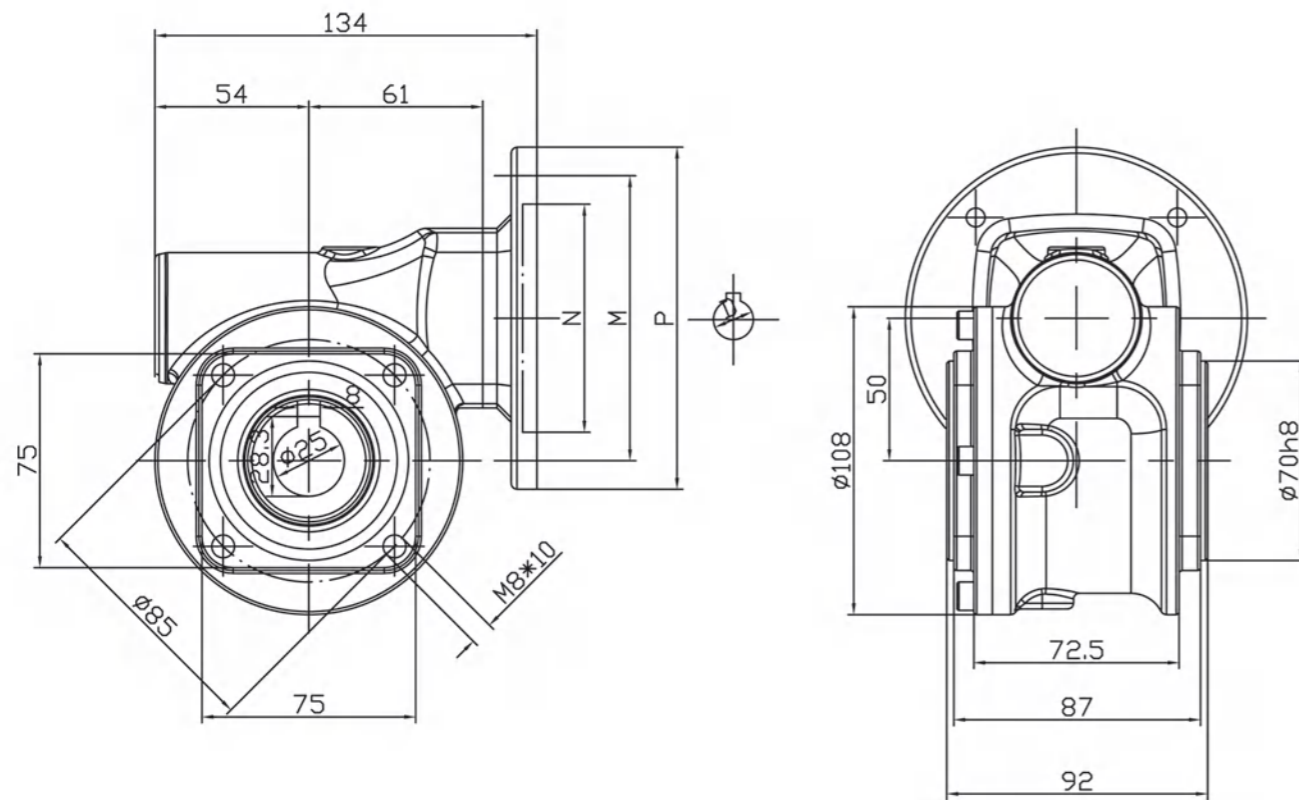


RSS40



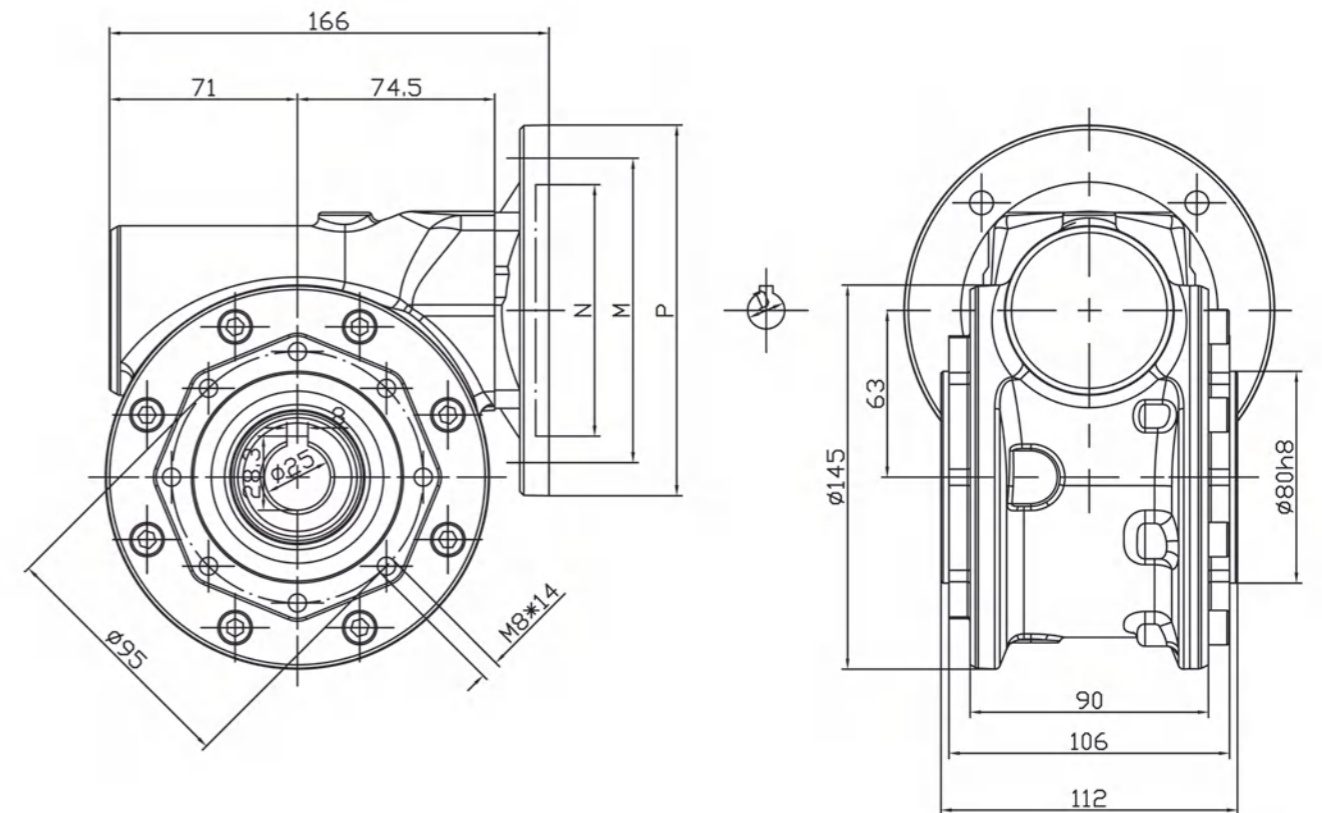
PAM-IEC	N(H8)	M	P	Ratio								D(F8)			
				7.5	10	15	20	25	30	40	50	60	80	100	
71B5	110	130	160	14	14	14	14	14	14	14	—	—	—	—	
71B14	70	85	105	11	11	11	11	11	11	11	11	11	11	11	
63B5	95	115	140	11	11	11	11	11	11	11	11	11	11	11	
63B14	60	75	90	11	11	11	11	11	11	11	11	11	11	11	

RSS50



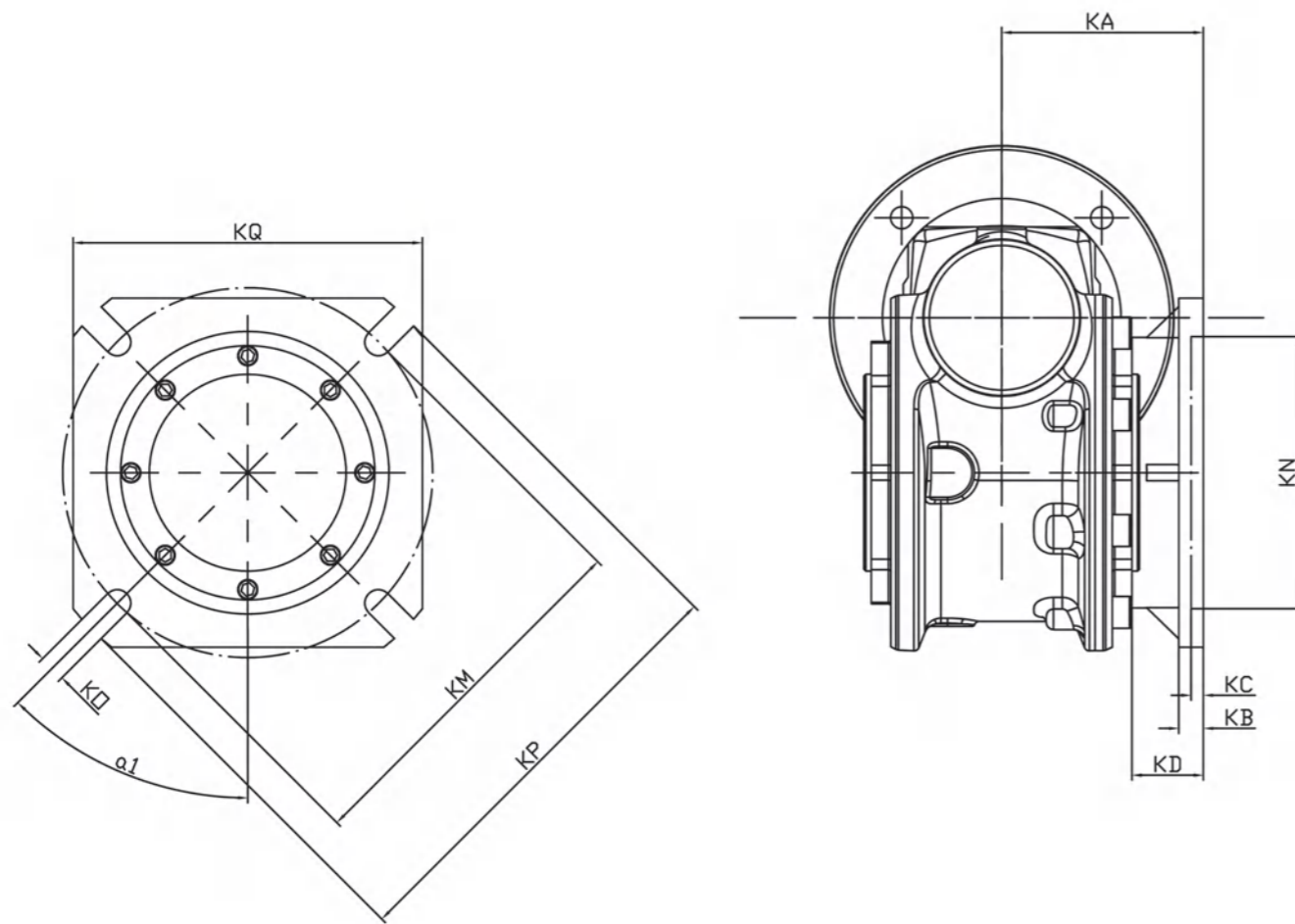
PAM-IEC	N(H8)	M	P	Ratio											
				7.5	10	15	20	25	30	40	50	60	80	100	
80B5	130	165	200	19	19	19	19	19	19	—	—	—	—	—	—
80B14	80	100	120	—	—	—	—	—	—	—	—	—	—	—	—
71B5	110	130	160	14	14	14	14	14	14	14	14	14	14	14	—
71B14	70	85	105	—	—	—	—	—	—	—	—	—	—	—	—
63B5	95	115	140	—	—	—	—	—	—	11	11	11	11	11	—
63B14	60	75	90	—	—	—	—	—	—	—	—	—	—	—	—

RSS63



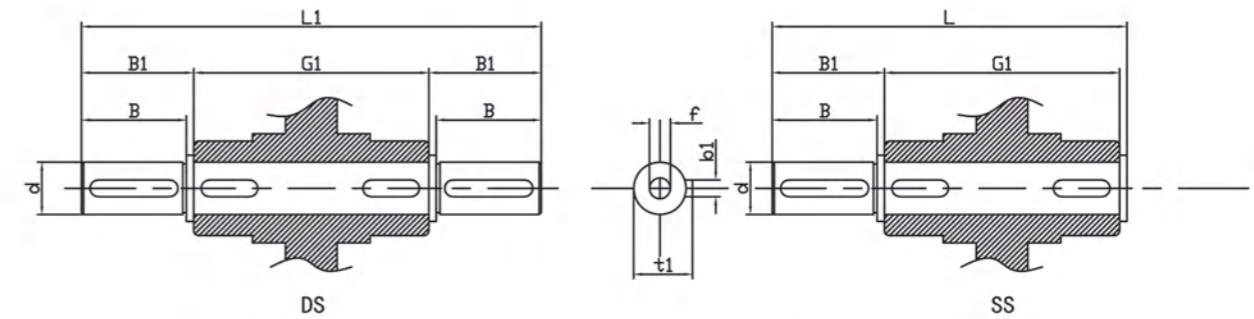
PAM-IEC	N(H8)	M	P	Ratio											
				7.5	10	15	20	25	30	40	50	60	80	100	
90B5	130	165	200	24	24	24	24	24	24	—	—	—	—	—	—
90B14	95	115	140	—	—	—	—	—	—	—	—	—	—	—	—
80B5	130	165	200	19	19	19	19	19	19	19	19	19	19	19	—
80B14	80	100	120	—	—	—	—	—	—	—	—	—	—	—	—
71B5	110	130	160	—	—	—	—	—	—	14	14	14	14	14	—
71B14	70	85	105	—	—	—	—	—	—	—	—	—	—	—	—

RSS..F 输出法兰(304)Output Flange Dimension



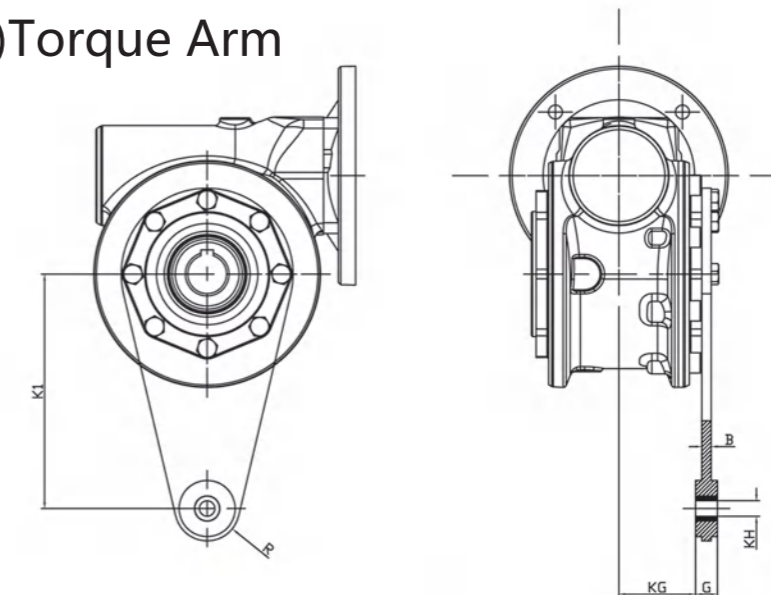
RSS	$\alpha 1$	KA	KB	KC	KD	KM	KN	KD	KP	KQ
040	45°	67	7	4	31.5	75	60	9	110	95
050	45°	90	9	5	46.5	85	70	11	125	110
063	45°	82	10	6	29	150	115	11	180	142
075	45°	111	13	6	54	165	130	14	200	170
090	45°	111	13	6	44	175	152	14	210	200

RSS输出轴(304)Output Shafts



RSS	d	B	B1	G1	L	L1	f	b1	t1
040	18	40	43	78	128	164	M6*17	6	20.5
050	25	50	53.5	92	153	199	M10*27	8	28
063	25	50	53.5	112	173	219	M10*27	8	28
075	28	60	63.5	120	192	247	M10*27	8	31
090	35	80	84.5	140	234	309	M12*34	10	38

RSS扭力臂(304)Torque Arm



RSS	K1	G	KG	KH	R	B
040	100	14	31.5	10	18	4
050	100	14	38.5	10	18	4
063	150	14	49	10	18	6
075	200	25	47.5	20	30	6
090	200	25	57.5	20	30	6

AH系列不锈钢减速机

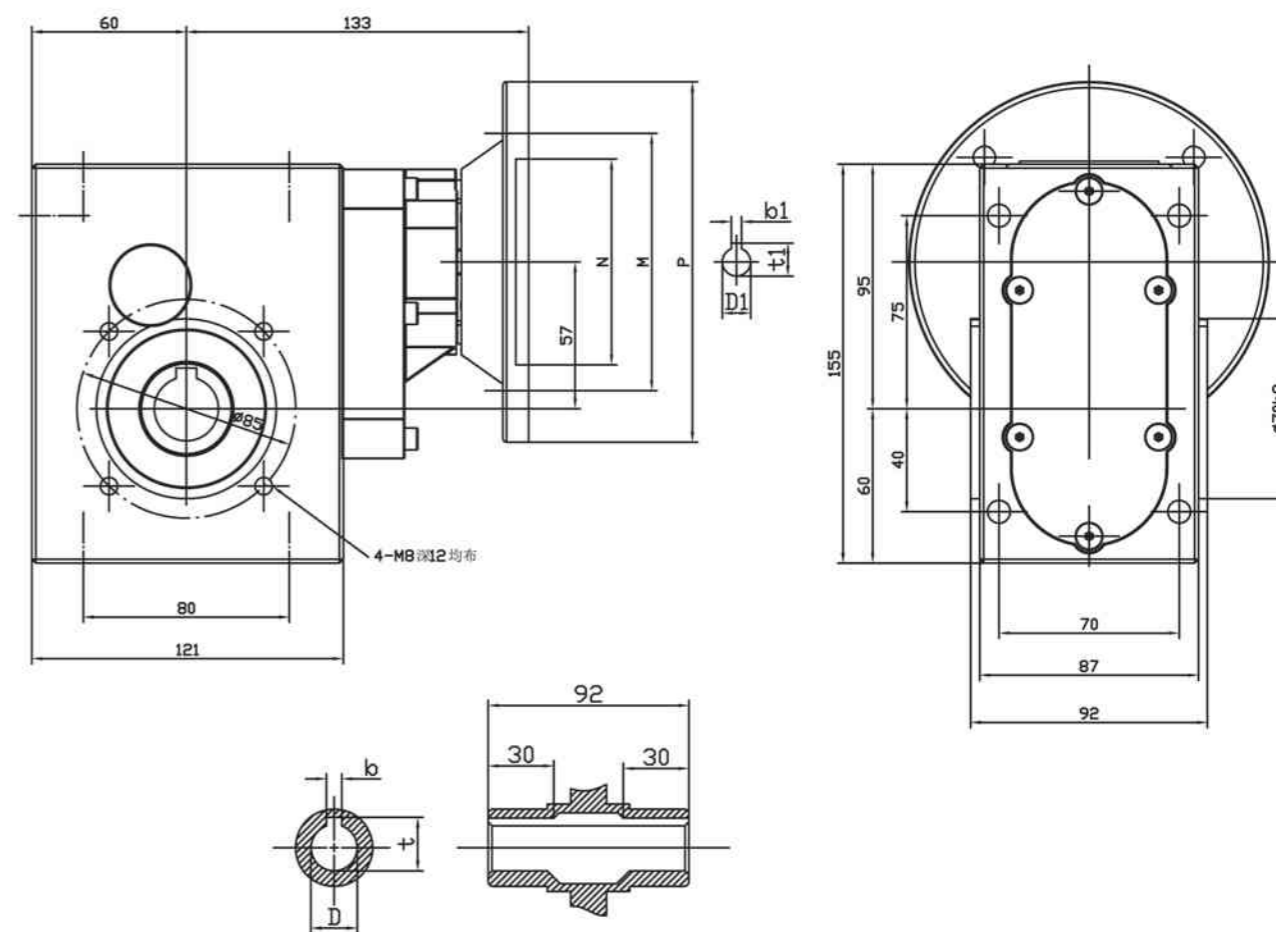
箱体304精密铸造，输出的部分304。内部采用准双曲面齿轮结构，传动效率高，运行平稳，箱体六个面全部加工，便于冲洗，外形美观。有50(28), 63(38), 75 (48), 90(58)四个型号。

AH series stainless steel reducer

The reducer box is precision cast with 304, and the output part is also 304. The interior of the material adopts a hypoid gear structure with high transmission efficiency. The operation is smooth, the six sides of the box are all processed, easy to wash, and the appearance is beautiful. There are four models: 50(28),63 (38), 75 (48), 90 (58).

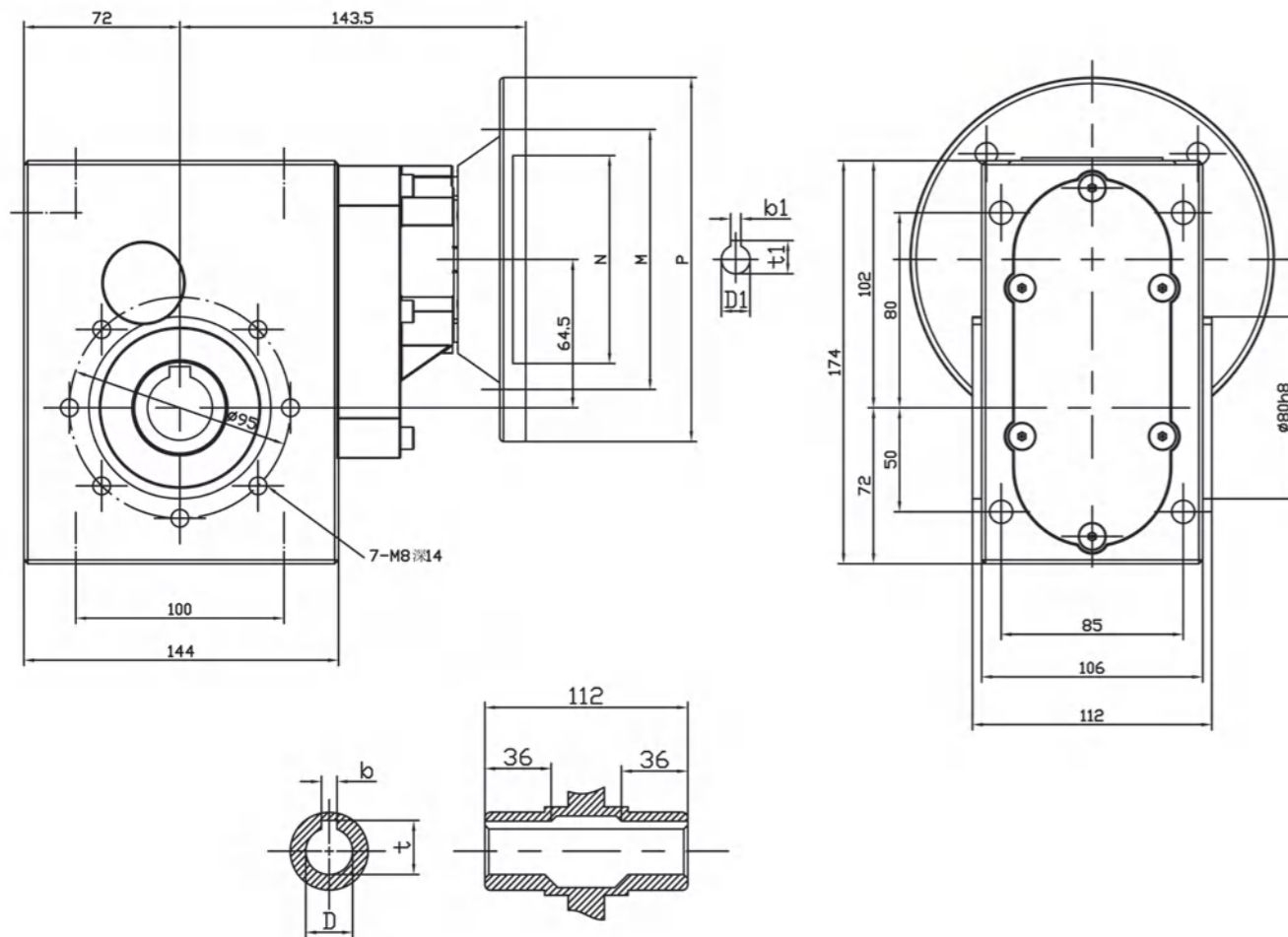


AH50



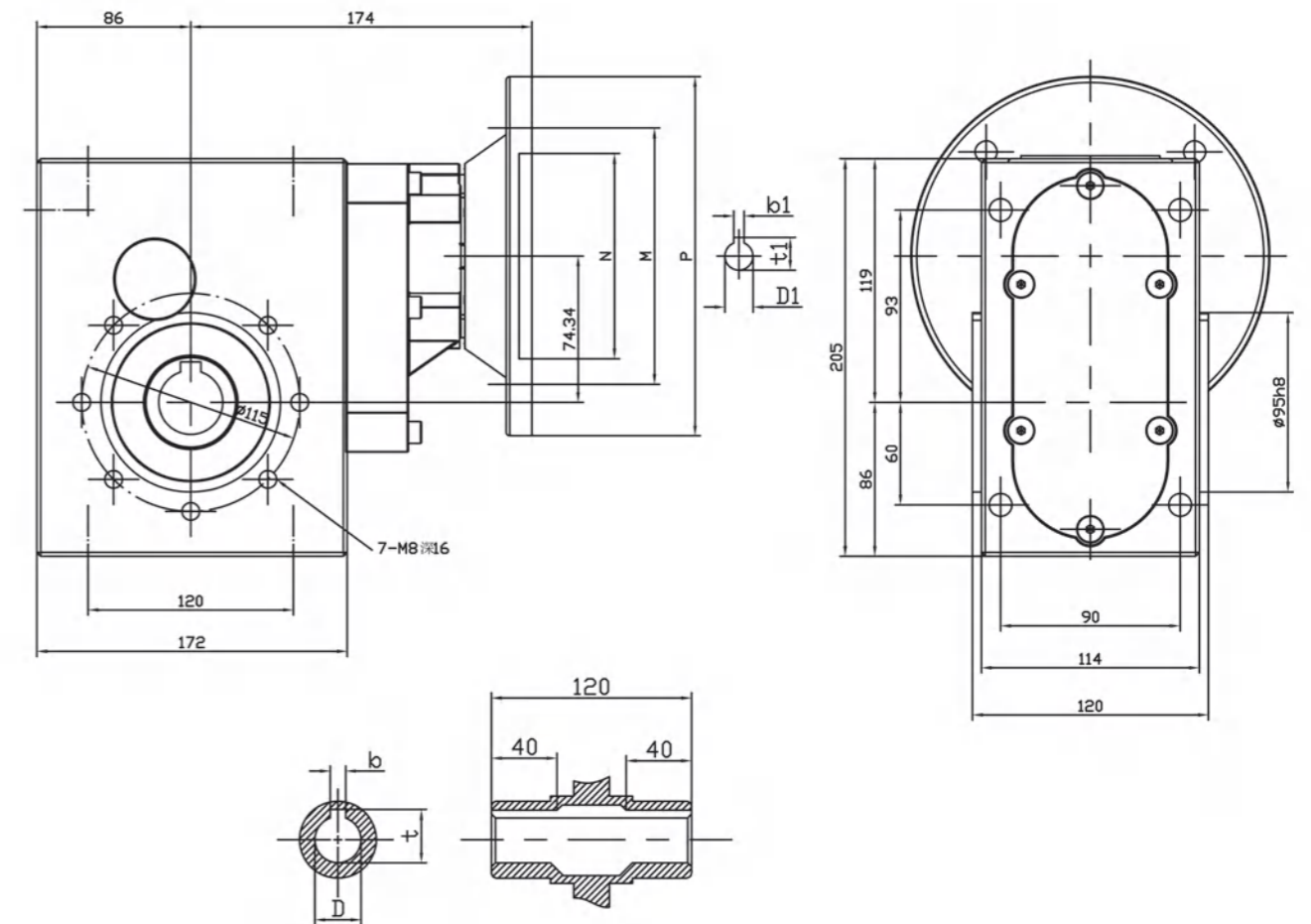
PAM-IEC	N(KH8)	M	P	b1	t1	Ratio											D(H7)	b	t
						7.5	10	12.5	15	20	25	30	40	50	60	D1(F8)			
80B5	130	165	200	6	21.8	19	19	19	19	19	19	—	—	—	—	25	8	28.3	
80B14	80	100	120			24*	8*	27.3*											
71B5	110	130	160	5	16.3	14	14	14	14	14	14	14	14	14	14	20*	6*	22.8*	
71B14	70	85	105			—	—	—	—	—	—	—	—	—	—	—	—	—	—
63B5	95	115	140	4	12.8	—	—	—	—	—	—	11	11	11	11	*非标产品，订单时请说明 *Only on request			
63B14	60	75	90			—	—	—	—	—	—	—	—	—	—	—	—	—	—

AH63



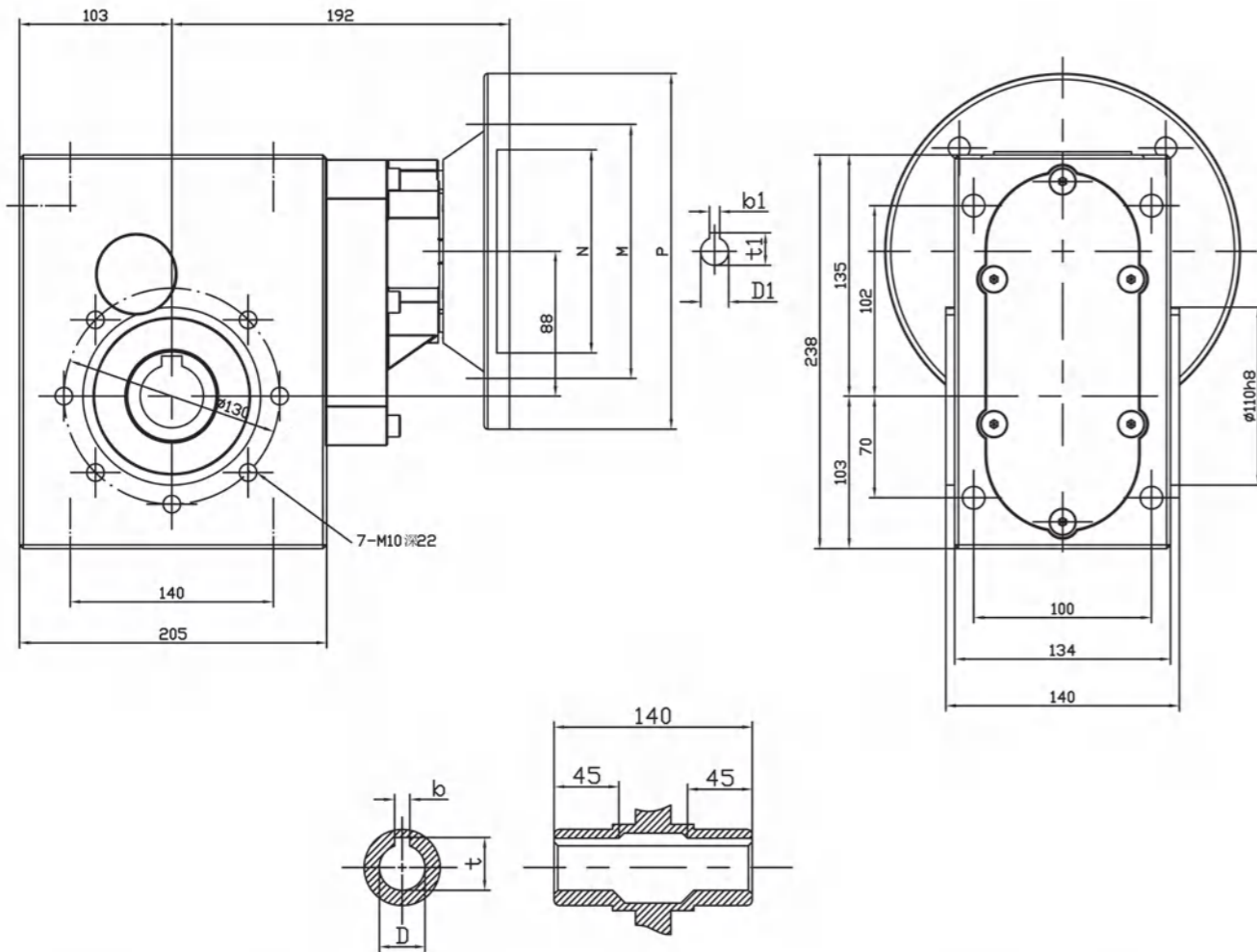
PAM-IEC	N(H8)	M	P	b1	t1	Ratio											D(H7)	b	t	
						7.5	10	12.5	15	20	25	30	40	50	60	D(F8)				
90B5	130	165	200	8	27.3	24	24	24	24	24	24	24	-	-	-	25	8	28.3		
90B14	95	115	140			24	24	24	24	24	24	24	24	-	-				-	28*
80B5	130	165	200	6	21.8	19	19	19	19	19	19	19	19	19	19	30*	8*	33.3*		
80B14	80	100	120			19	19	19	19	19	19	19	19	19	19				19	
71B5	110	130	160	5	16.3	-	-	-	-	-	-	-	-	14	14	*非标产品, 订单时请说明 *Only on request		35*	10*	38.3*
71B14	70	85	105			-	-	-	-	-	-	-	-	14	14					

AH75



PAM-IEC	N(H8)	M	P	b1	t1	Ratio											D(H7)	b	t	
						7.5	10	12.5	15	20	25	30	40	50	60	D(F8)				
100/112B5	180	215	250	8	31.3	28	28	28	28	-	-	-	-	-	-	28	8	31.3		
100/112B14	110	130	160			28	28	28	28	-	-	-	-	-	-				-	30*
90B5	130	165	200	8	27.3	24	24	24	24	24	24	24	24	24	24	35*	10*	38.3*		
90B14	95	115	140			24	24	24	24	24	24	24	24	24	24				-	
80B5	130	165	200	6	21.8	-	-	-	-	19	19	19	19	19	*非标产品, 订单时请说明 *Only on request	35*	10*	38.3*		
80B14	80	100	120			-	-	-	-	19	19	19	19	19					19	
71B5	110	130	160	5	16.3	-	-	-	-	-	-	-	-	14	14	*非标产品, 订单时请说明 *Only on request		35*	10*	38.3*

AH90



PAM-IEC	N(CH8)	M	P	b1	t1	Ratio											D(H7)	b	t		
						7.5	10	12.5	15	20	25	30	40	50	60	D(F8)					
100/112B5	180	215	250	8	31.3	28	28	28	28	28	28	28	28	28	28	28	28	35	10	38.3	
100/112B14	110	130	160			38*	10*	41.3*													
90B5	130	165	200	8	27.3	24	24	24	24	24	24	24	24	24	24	24	40*	12*	43.3*		
90B14	95	115	140			24	24	24	24	24	24	24	24	24	24	24	24	24	24	24	24
80B5	130	165	200	6	21.8	-	-	-	-	-	-	-	-	-	-	19	19	19	*非标产品, 订单时请说明 *Only on request		
80B14	80	100	120			-	-	-	-	-	-	-	-	-	-	-	-	-	-	-	-

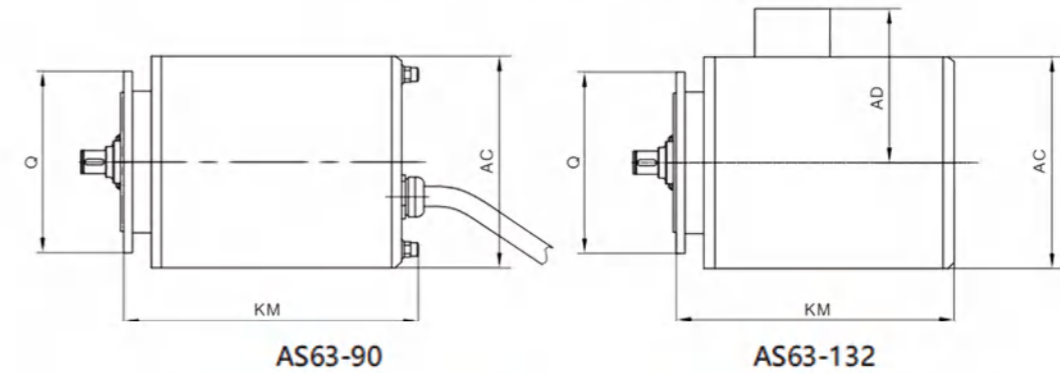
选型参数表
Parameter for Model Chosen

输出转速 Output speed r/min	输出转矩 Output torque Nm	传动比 transmission ratio i	输出轴径 Output radial force kN	使用系数 fs	机型号 Model code	对应公制电机机座 Motor	机型号 Model code	对应英制机座 NEMA C input
0.06kW								
186.7	2.6	7.5	0.68	6.9				
140	3.4	10	0.75	5.4				
93.3	4.7	15	0.86	3.8				
70	6	20	0.94	3.0	RESSD30	56B5/		
56	7	25	1.02	3.0	RSS30	56B14		
46.7	8	30	1.08	2.5	NMRV030			
35	9.7	40	1.19	1.9				
28	11	50	1.28	1.5				
23.3	13	60	1.36	1.3				
17.5	14	80	1.5	0.9				
0.09kW								
186.7	3.9	7.5	0.68	4.6				
140	5	10	0.75	3.6				
93.3	7.1	15	0.86	2.5	RESSD30	56B5/		
70	9	20	0.94	2.0	RSS30	56B14		
56	10	25	1.02	2.0	NMRV030			
46.7	12	30	1.08	1.7				
35	14	40	1.19	1.2				
28	17	50	1.28	1.0				
23.3	19	60	1.36	0.9				
28	19	50	2.47	2.0	RESSD40	56B5/		
23.3	21	60	2.63	1.7	NMRV040	56B14		
17.5	26	80	2.89	1.3	RSS40			
14	29	100	3.11	1.0				
0.12kW								
186.7	5.2	7.5	0.68	3.4				
140	6.7	10	0.75	2.7				
93.3	9.5	15	0.86	1.9	RESSD30	63B5/	RESSD30	48C
70	12	20	0.94	1.5	NMRV030	63B14	NMRV030	
56	14	25	1.02	1.5	RSS30		RSS30	
46.7	16	30	1.08	1.3				
35	19	40	1.19	0.9				
28	23	50	1.28	0.8				
46.7	17.2	30	2.08	2.6				
35	21	40	2.29	1.9	RESSD40	63B5/	RESSD40	56C
28	25	50	2.47	1.5	NMRV040	63B14	NMRV040	
23.3	28	60	2.63	1.3	RSS40		RSS40	
17.5	34	80	2.89	1.0				
14	38	100	3.11	0.8				
23.3	29	60	3.61	2.3	RESSD50	63B5/	RESSD50	56C
17.5	35	80	3.97	1.9	NMRV050	63B14	NMRV050	
14	40	100	4.28	1.4	RSS50		RSS50	
0.18kW								
186.7	7.8	7.5	0.68	2.3				
140	10	10	0.75	1.8				
93.3	14	15	0.86	1.3	RESSD30	63B5/	RESSD30	48C
70	18	20	0.94	1.0	NMRV030	63B14	NMRV030	
56	21	25	1.02	1.0	RSS30		RSS30	
46.7	24	30	1.08	0.8				
70	19	20	1.82	2.0	RESSD40	63B5/	RESSD40	56C
56	23	25	1.96	1.7	NMRV040	63B14	NMRV040	
46.7	26	30	2.08	1.7	RSS40		RSS40	
0.18kW								
35	32	40	2.29	1.3	RESSD40	63B5/	RESSD40	56C
28	38	50	2.47	1.0	NMRV040	63B14	NMRV040	
23.3	43	60	2.63	0.8	RSS40		RSS40	
35	32	40	3.15	2.3				
28	39	50	3.39	1.9	RESSD50	63B5/	RESSD50	56C
23.3	43	60	3.61	1.6	NMRV050	63B14	NMRV050	
17.5	52	80	3.97	1.2	RSS50		RSS50	
14	60	100	4.28	0.9				
0.25kW								
186.7	11	7.5	1.31	3.6				
140	14	10	1.44	2.8				
93.3	21	15	1.65	1.9	RESSD40	71B5/	RESSD40	56C
70	27	20	1.82	1.5	NMRV040	71B14	NMRV040	
56	32	25	1.96	1.2	RSS40		RSS40	
46.7	36	30	2.08	1.3				
35	44	40	2.29	0.9				
28	37	50	2.47	0.8				
70	26	20	2.5	2.7				
56	32	25	2.69	2.2				
46.7	37	30	2.86	2.3	RESSD50	71B5/	RESSD50	56C
35	46	40	3.15	1.7	NMRV050	71B14	NMRV050	
28	54	50	3.39	1.4	RSS50		RSS50	
23.3	60	60	3.61	1.1				
17.5	72	80	3.97	0.9				
28	56	50	4.44	2.4				
23.3	63	60	4.71	2.0	RESSD63	71B5/	RESSD63	56C
17.5	78	80	5.19	1.6	NMRV063	71B14	NMRV063	
14	87	100	5.59	1.4	RSS63		RSS63	
0.37kW								
186.7	16	7.5	1.31	2.4				
140	21	10	1.44	1.9	RESSD40	71B5/	RESSD40	56C
93.3	31	15	1.65	1.3	NMRV040	71B14	NMRV040	
70	39	20	1.82	1.0	RSS40		RSS40	
56	47	25	1.96	0.8				
46.7	53	30	2.08	0.8				
140	21	10	1.98	3.3				
93.3	31	15	2.27	2.4				
70	40	20	2.5	1.8				
56	48	25	2.69	1.5	RESSD50	71B5/	RESSD50	56C
46.7	55	30	2.86	1.5	NMRV050	71B14	NMRV050	
35	68	40	3.15	1.1	RSS50		RSS50	
28	80	50	3.39	0.9				
23.3	89	60	3.61	0.8				
35	70	40	4.12	2.1				
28	83	50	4.44	1.6				
23.3	94	60	4.71	1.4	RESSD63	71B5/	RESSD63	56C
17.5	115	80	5.19	1.1	NMRV063	71B14	NMRV063	
14	129	100	5.59	0.9	RSS63		RSS63	
0.55kW								
186.7	25	7.5	1.8	2.9	RESSD50	80B5/	RESSD50	56C
140	32	10	1.98	2.2	NMRV050	80B14	NMRV050	
93.3	46	15	2.27	1.6	RSS50		RSS50	
70	59	20	2.5	1.2				

选型参数表
Parameter for Model Chosen

输出转速 Output speed r/min	输出扭矩 Output torque Nm	传动比 transmission ratio i	输出轴径 Output force radial force kN	使用系数 fs	机型号 Model code	对应公制电机机座 Motor	机型号 Model code	对应英制机座 NEMA C input
0.55kW								
56	71	25	2.69	1.0	RESSD50	80B5/	RESSD50	
46.7	81	30	2.86	1.0	NMRV050	80B14	NMRV050	56C
35	80	40	3.15	0.9	RSS50		RSS50	
70	60	20	3.27	2.2				
56	73	25	3.52	1.8				
46.7	83	30	3.74	1.9	RESSD63	80B5/	RESSD63	
35	105	40	4.12	1.4	NMRV063	80B14	NMRV063	56C
28	124	50	4.44	1.1	RSS63		RSS63	
23.3	140	60	4.71	0.9				
0.75kW								
186.7	34	7.5	1.8	2.1	RESSD50	80B5/	RESSD50	
140	44	10	1.98	1.6	NMRV050	80B14	NMRV050	56C
93.3	63	15	2.27	1.2	RSS50		RSS50	
70	81	20	2.5	0.9				
93.3	63	15	2.97	2.2				
70	83	20	3.27	1.6	RESSD63	80B5/	RESSD63	
56	100	25	3.52	1.3	NMRV063	80B14	NMRV063	56C
46.7	114	30	3.74	1.4	RSS63		RSS63	
35	143	40	4.12	1.0				
56	102	25	4.16	2.0				
46.7	117	30	4.42	2.0	RESSD75	80B5/	RESSD75	
35	147	40	4.86	1.5	NMRV075	80B14	NMRV075	140TC
28	177	50	5.24	1.2	RSS75		RSS75	
23.3	200	60	5.56	1.0				
28	184	50	5.79	1.8				
23.3	212	60	6.16	1.5	RESSD90	80B5/	RESSD90	
17.5	258	80	6.78	1.1	NMRV090	80B14	NMRV090	140TC
14	302	100	7.3	0.9	RSS90		RSS90	
1.1kW								
186.7	49	7.5	2.35	2.6				
140	65	10	2.59	2.0				
93.3	93	15	2.97	1.5	RESSD63	90B5/	RESSD63	56C/
70	122	20	3.27	1.1	NMRV063	90B14	NMRV063	140TC
56	146	25	3.52	0.9	RSS63		RSS63	
46.7	167	30	3.74	1.0				
35	165	40	3.59	0.9				
93.3	95	15	3.5	2.1				
70	123	20	3.86	1.7				
56	150	25	4.16	1.3	RESSD75	90B5/	RESSD75	56C/
46.7	171	30	4.42	1.3	NMRV075	90B14	NMRV075	140TC
35	216	40	4.86	1.0	RSS75		RSS75	
28	264	50	4.6	0.9				
23.3	223	60	4.89	0.8				
35	225	40	5.38	1.6	RESSD90	90B5/	RESSD90	56C
28	270	50	5.79	1.3	NMRV090	90B14	NMRV090	140TC
23.3	311	60	6.16	1.0	RSS90		RSS90	
17.5	328	80	6.17	0.9				
1.5kW								
186.7	67	7.5	2.35	1.9	RESSD63	90B5/	RESSD63	
140	89	10	2.59	1.5	NMRV063	90B14	NMRV063	140TC
93.3	127	15	2.97	1.1	RSS63		RSS63	
70	166	20	3.27	0.8				
140	90	10	3.06	2.2				
93.3	130	15	3.5	1.5	RESSD75	90B5/	RESSD75	
70	168	20	3.86	1.3	NMRV075	90B14	NMRV075	140TC
56	205	25	4.16	1.0	RSS75		RSS75	
46.7	233	30	4.42	1.0				

电机尺寸表
The Size of Motor



型号 Model	规格 Specification	Q	KM	AC	AD
AS63	M1	120	215	114	--
	M2		240		
AS71	M1	120	236	134	--
	M2		246		
	M1	160	230		
	M2		240		
AS80	M1	120	287	144	--
	M2		327		
	M1	160	280		
	M2		327		
AS90	M1	120	340	164	--
	M2		340		
	M1	200	300		
	M2		350		
AS100	M1	120	200	203	169
	M2		250		
	M1	200	300		
	M2		350		
AS112	M1	120	160	218	174
	M2		200		
	M1	250	300		
	M2		350		
AS132	M1	160	200	256	192
	M2		250		
	M1	300	350		
	M2		400		